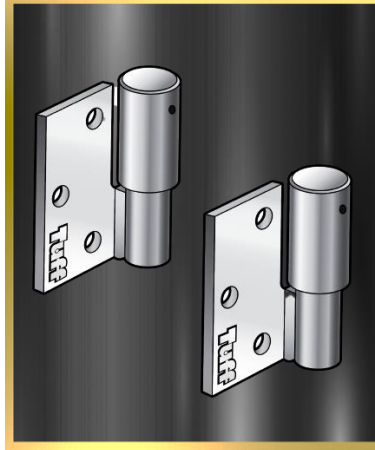
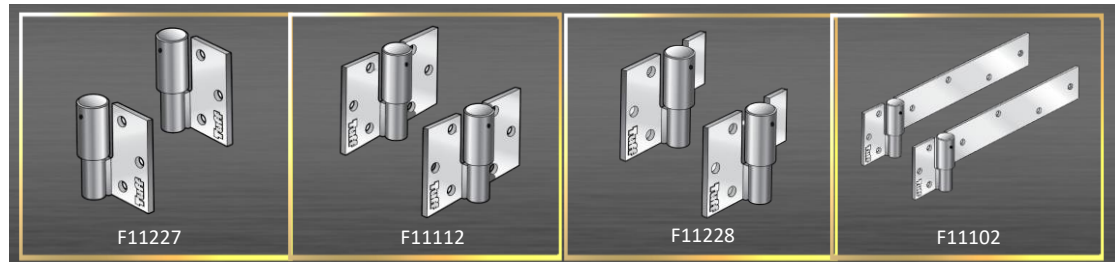


**F11226****BALL BEARING HINGE – TU2 (LEFT HAND)**

PRODUCT CODE	: F11226
BARCODE	: 931469111268
BUSH DIAMETER	: 25MM
PIN DIAMETER	: 19MM
MADE FROM	: 4MM STEEL
FINISHING	: ZINC PLATED

**RELATED PRODUCTS****NOTES:**

- SUITABLE FOR TIMBER TO STEEL OR STEEL TO STEEL GATES DESIGN
- MAXIMUM LOAD OF 500KG PER PAIR (SUBJECT TO METHOD OF FIXING)
- HINGE INDEPENDENTLY (FAILURE) TESTED AND RECORDED AT 2898 NEWTONS (MAXIMUM LOAD)
- EXTRA TOUGH DOUBLE WELDED CONSTRUCTION WITH EASY ACTION BALL BEARING PIVOT THAT ENABLE EFFORTLESS GATE MOVEMENT
- AVAILABLE IN BOTH LEFT AND RIGHT HAND DESIGNS. TO SELECT LH AND RH HINGE, VIEW FROM INSIDE OF FENCE AREA
- SAND BLASTED PRIOR TO ZINC PLATING, TO PROVIDE LONG TERM CORROSION PROTECTION
- BULK PACK ONLY (SCREW NOT INCLUDED IN BULK PACK)